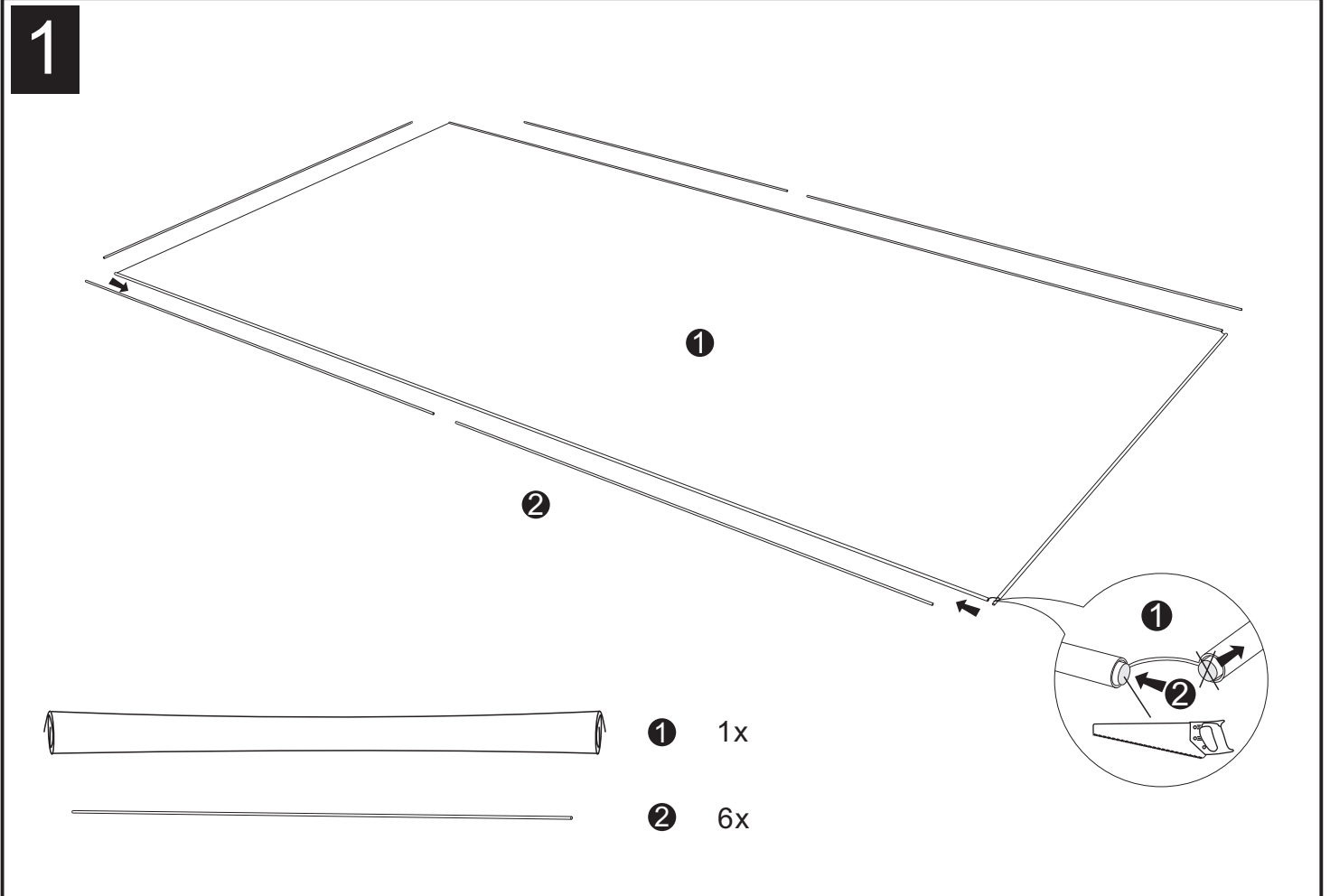
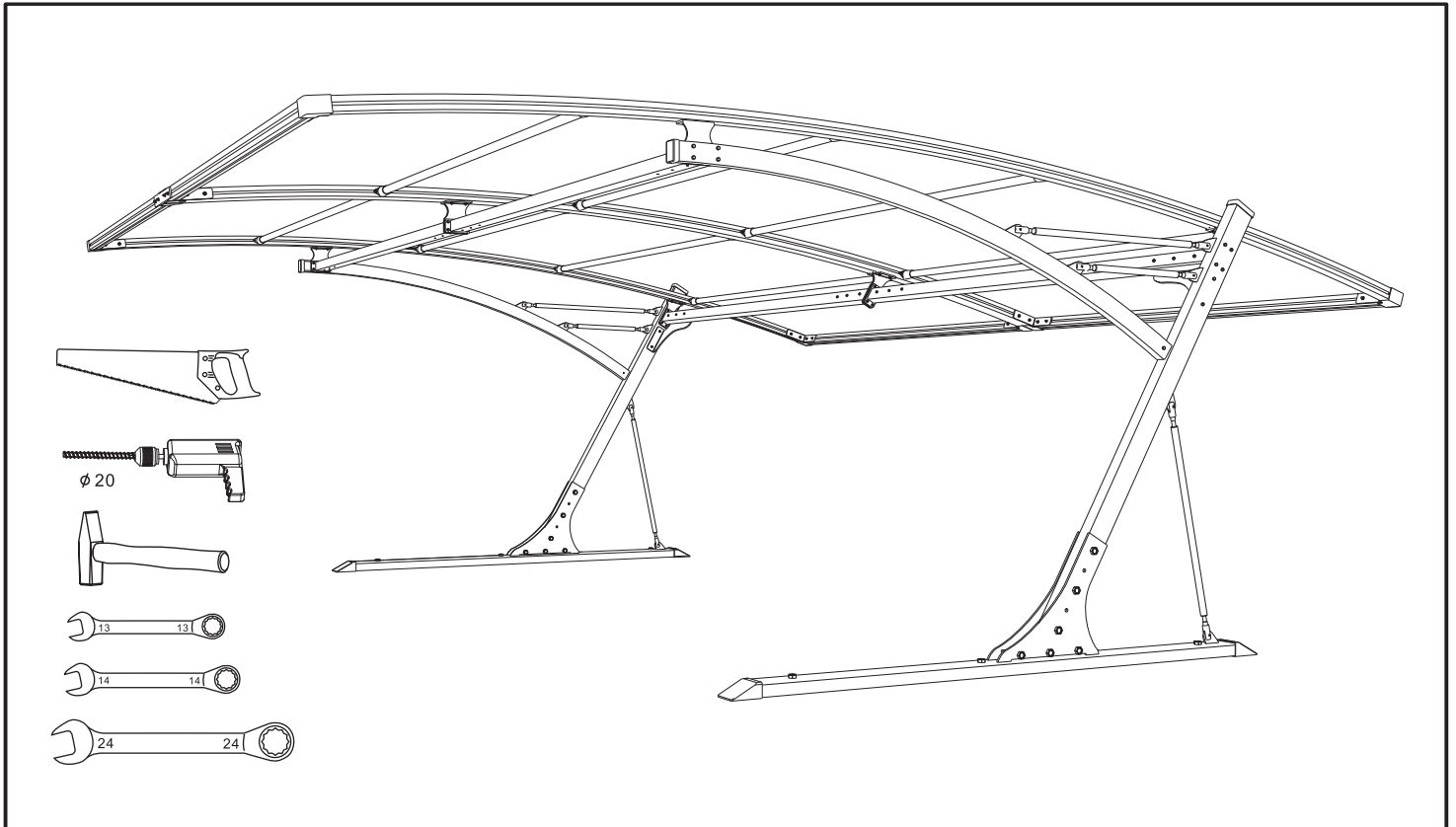
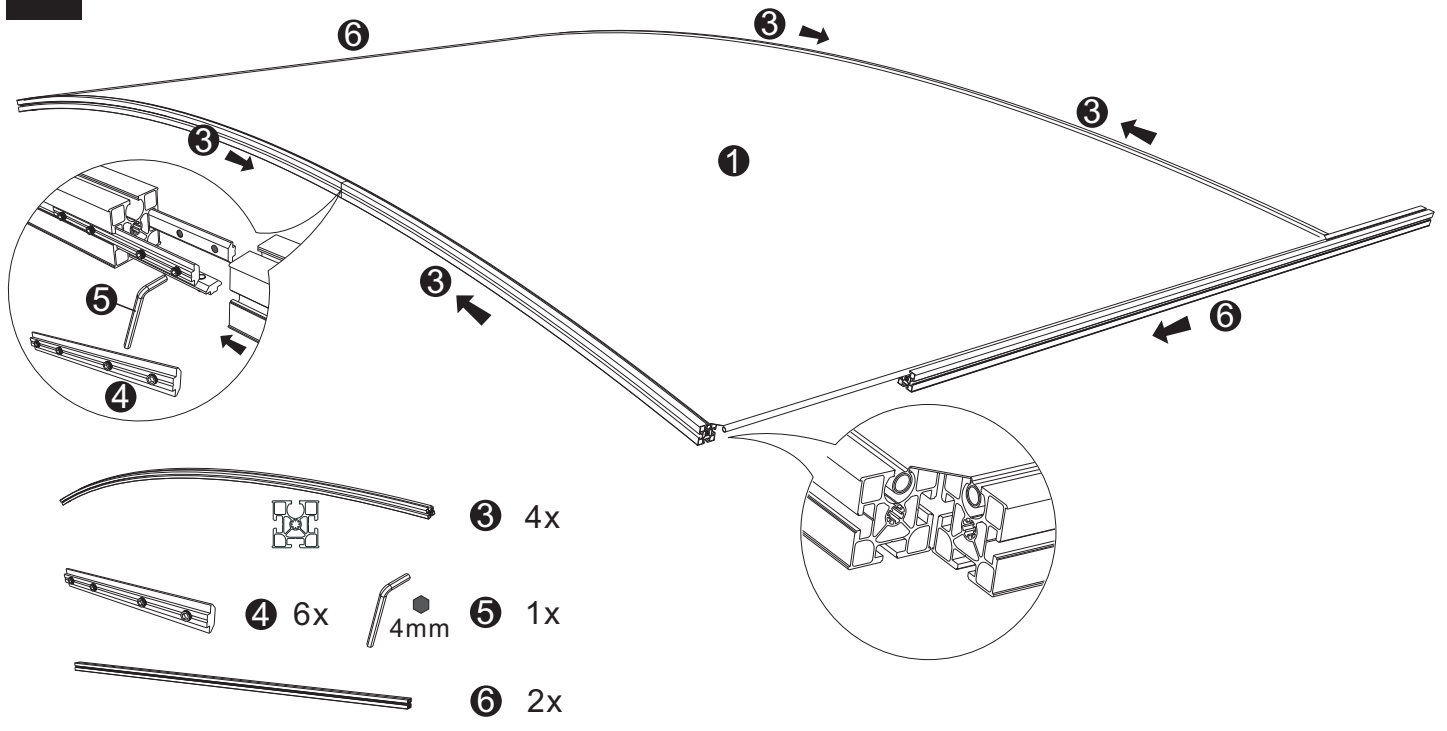


Carport

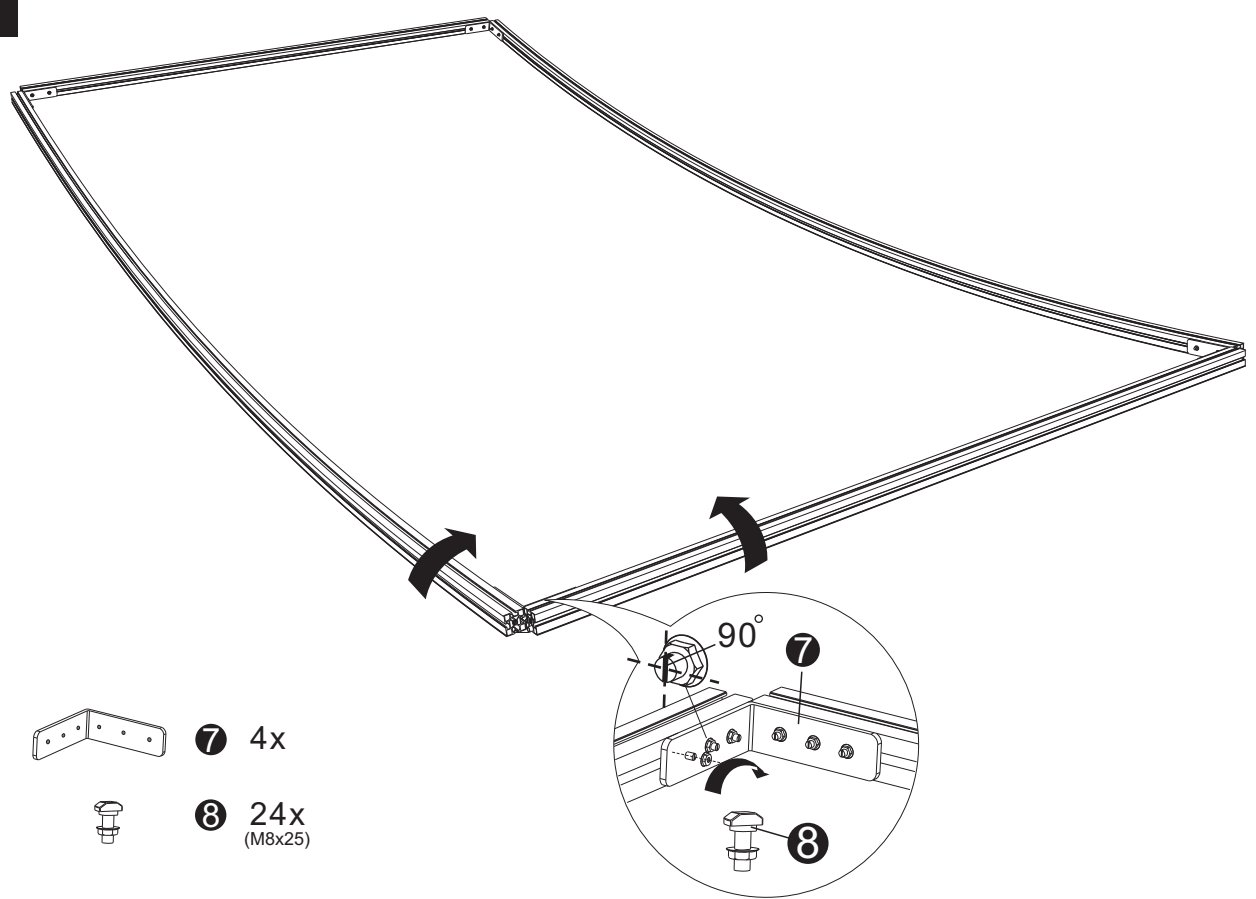
Assembling Instruction(DOUBLE)



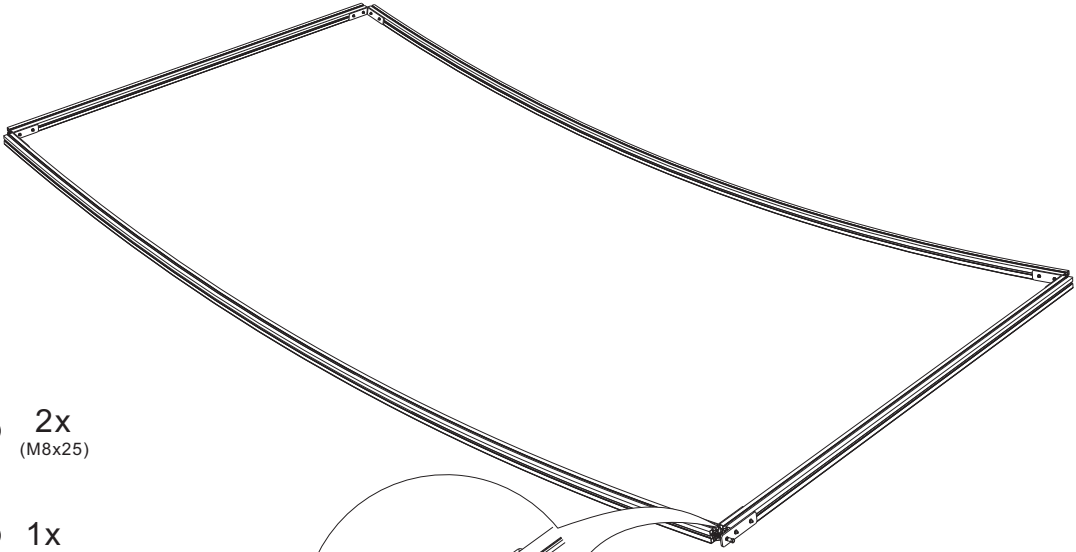
2



3



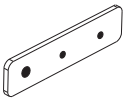
4



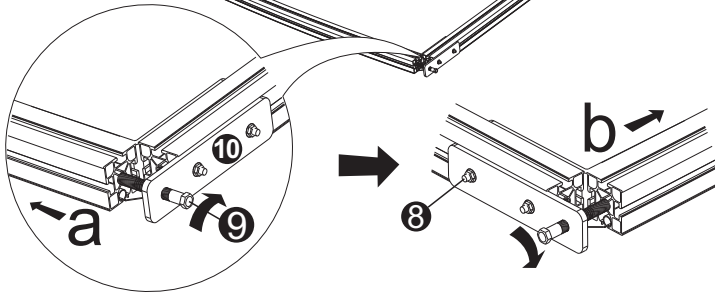
8 2x
(M8x25)



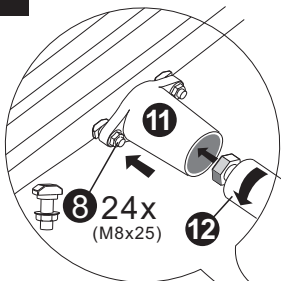
9 1x
(M16x100)



10 1x



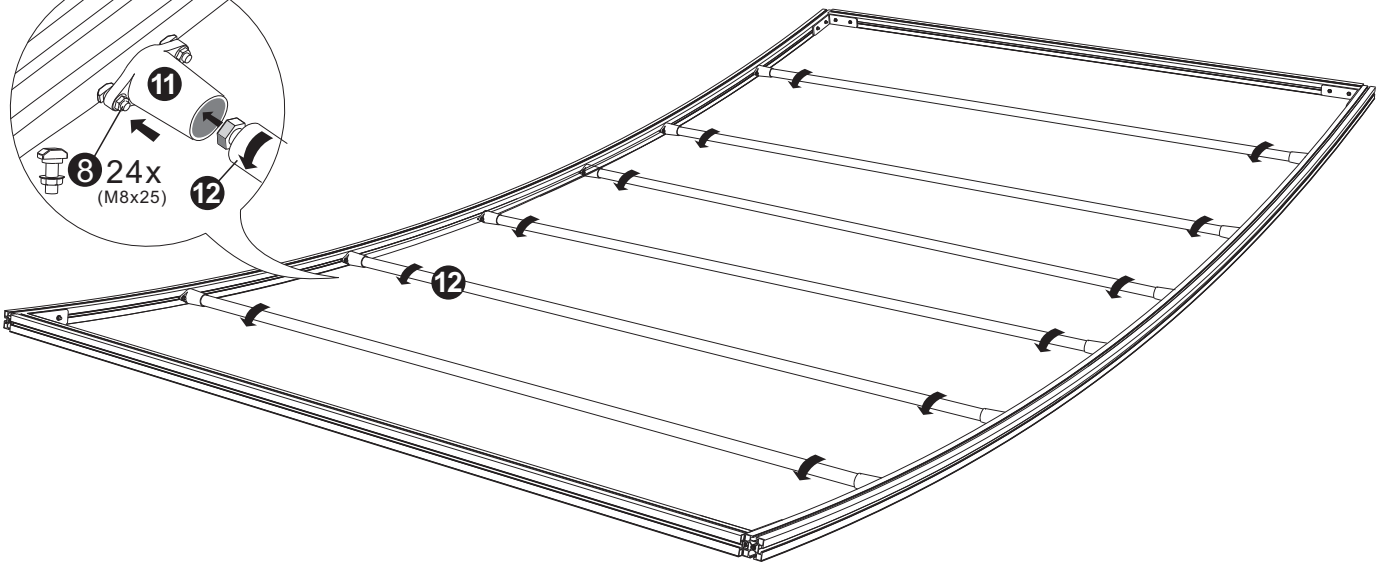
5



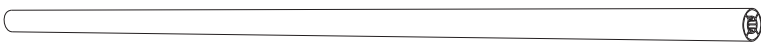
11

8 24x
(M8x25)

12

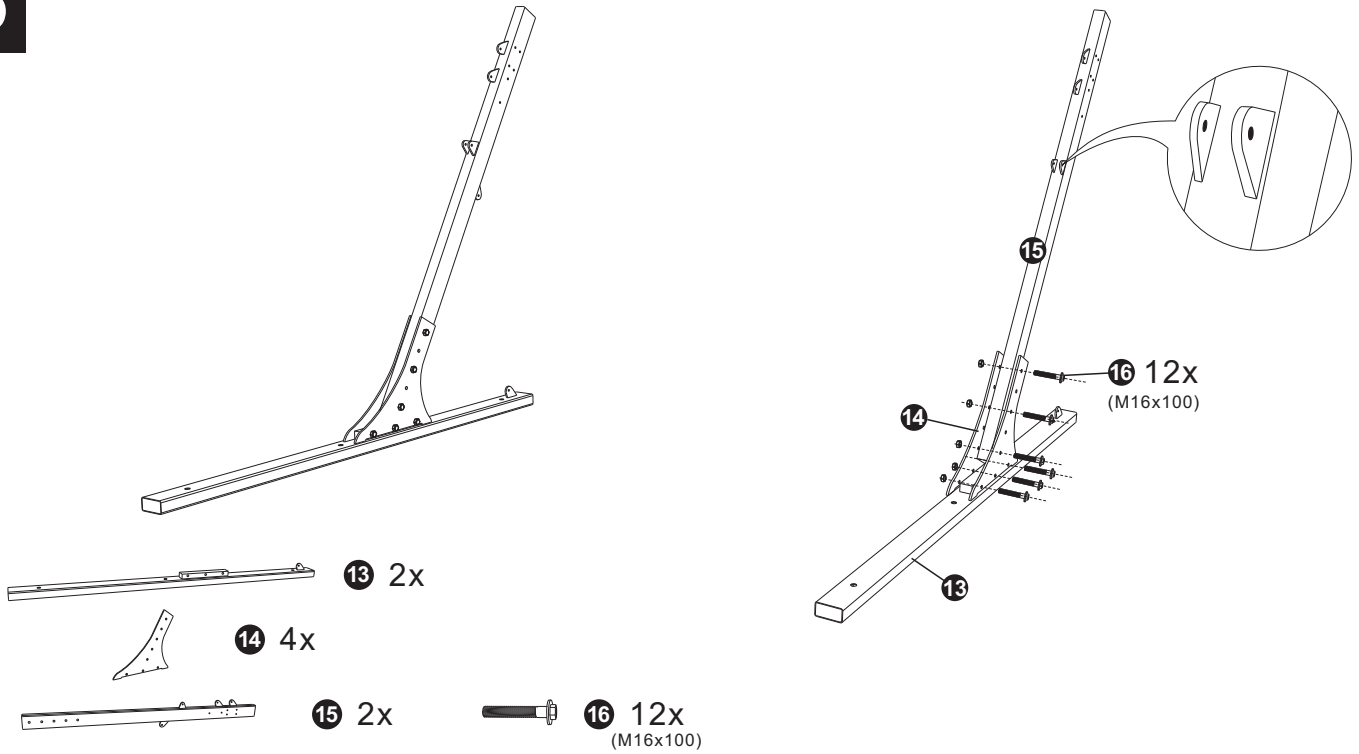


11 12x

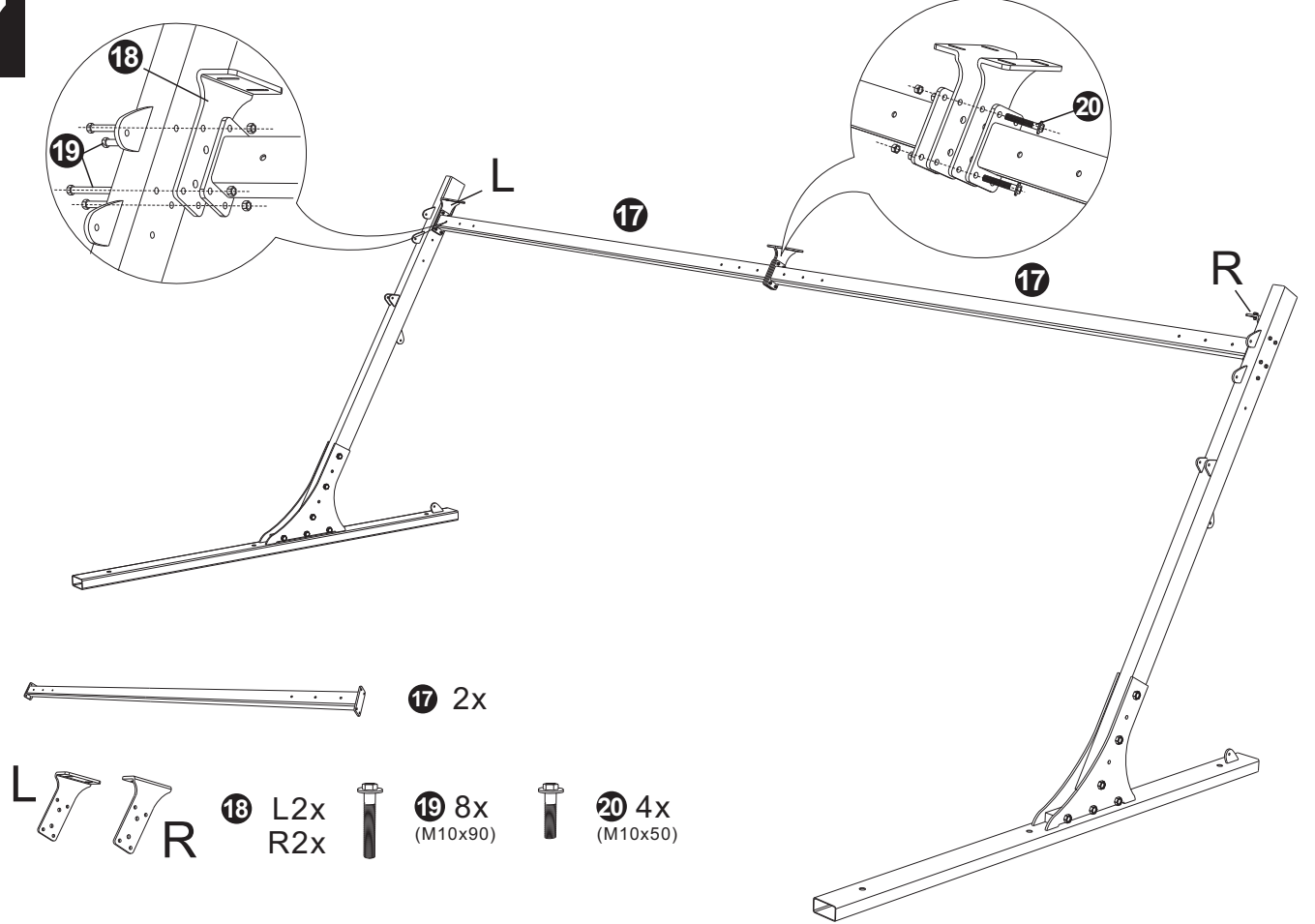


12 6x

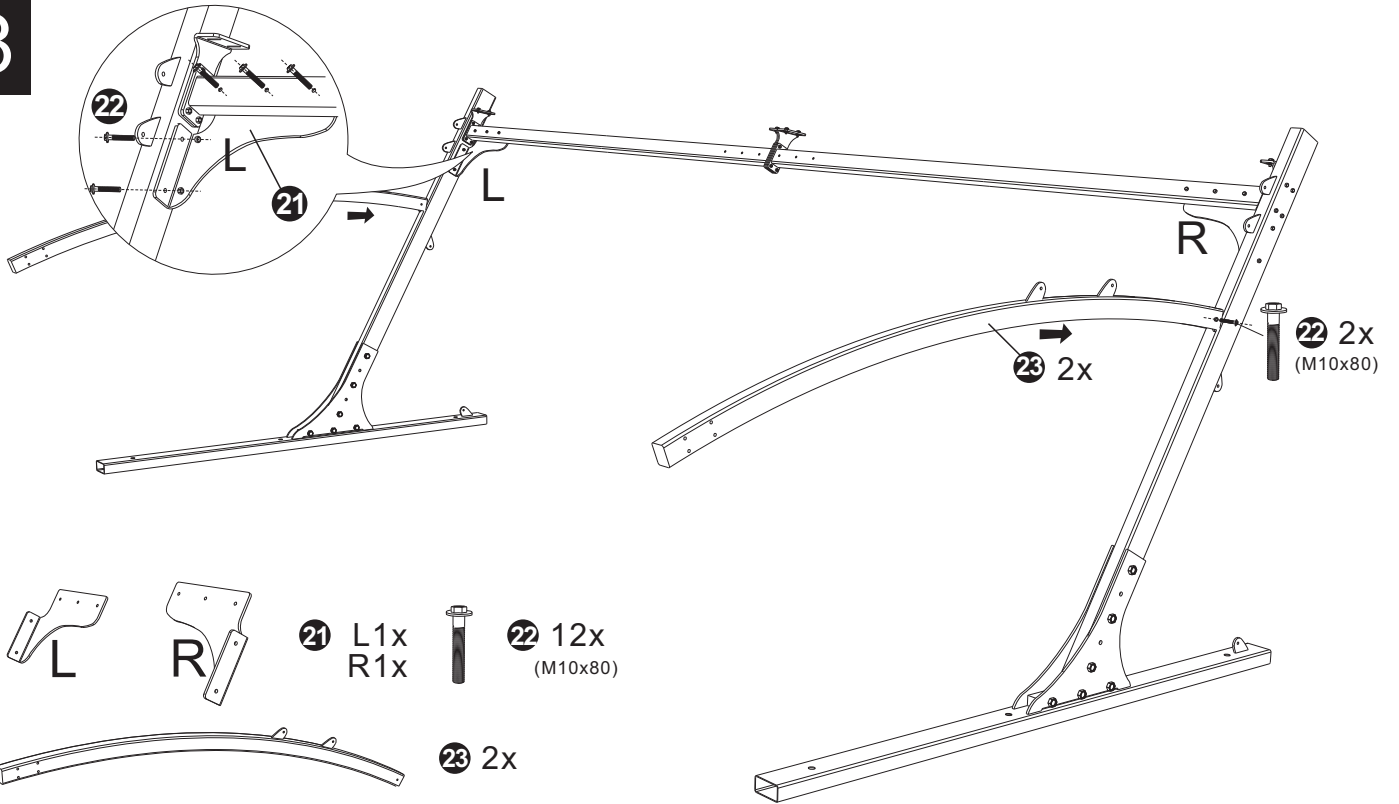
6



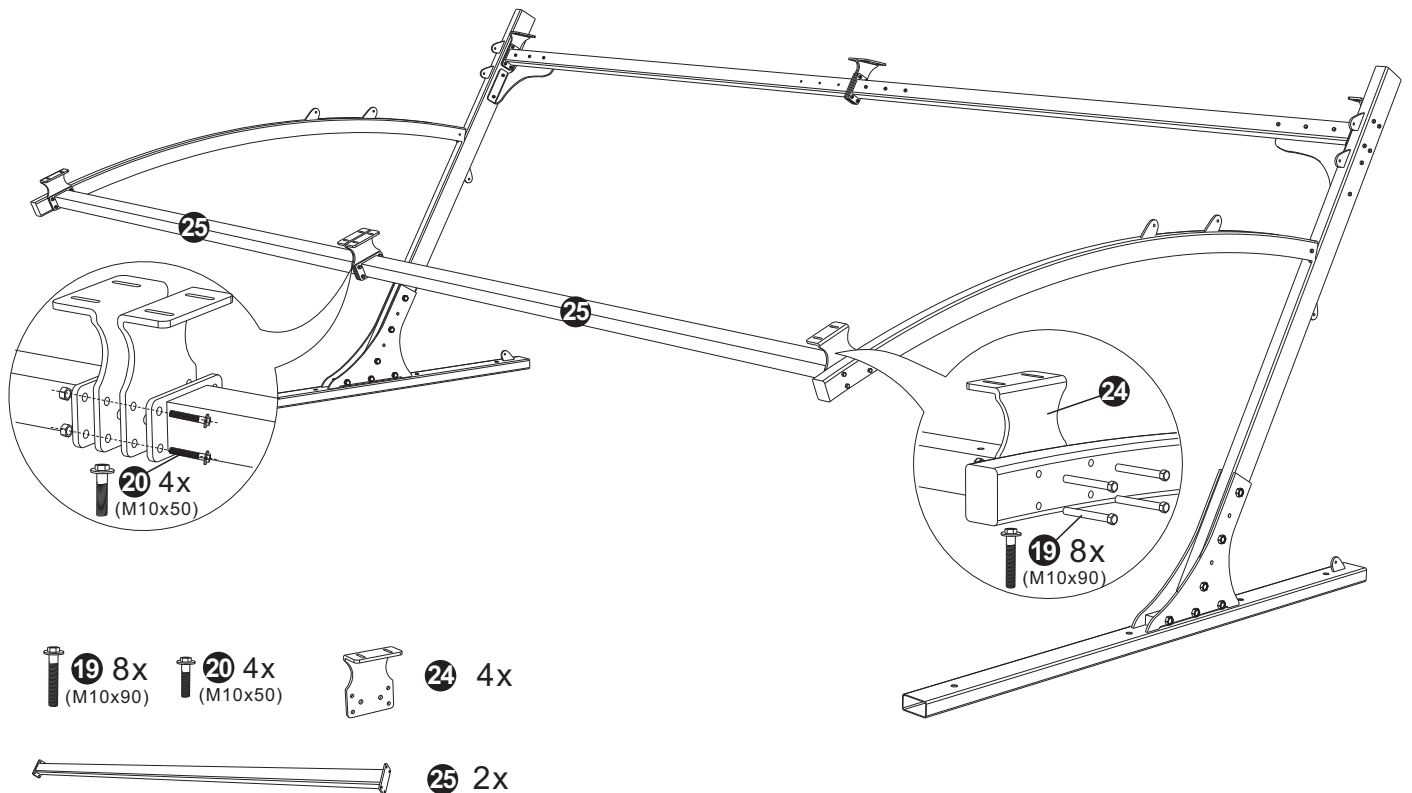
7



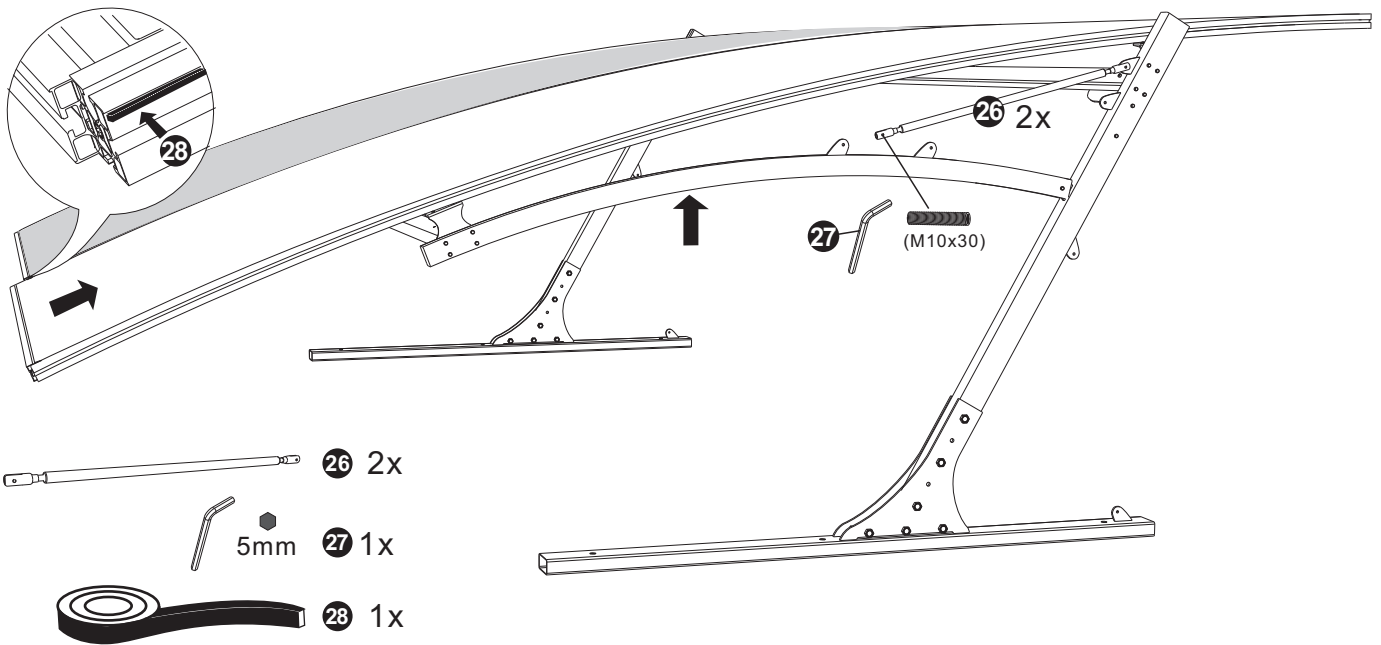
8



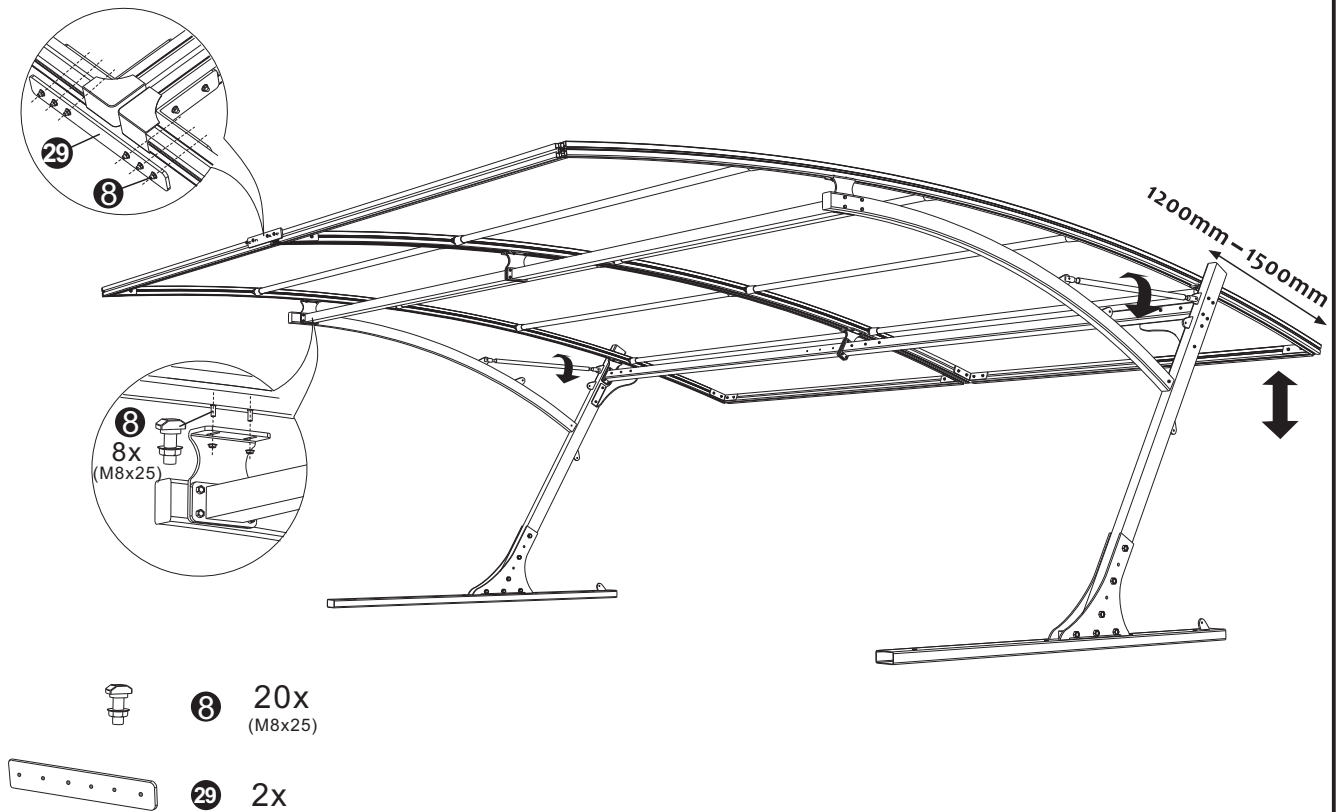
9



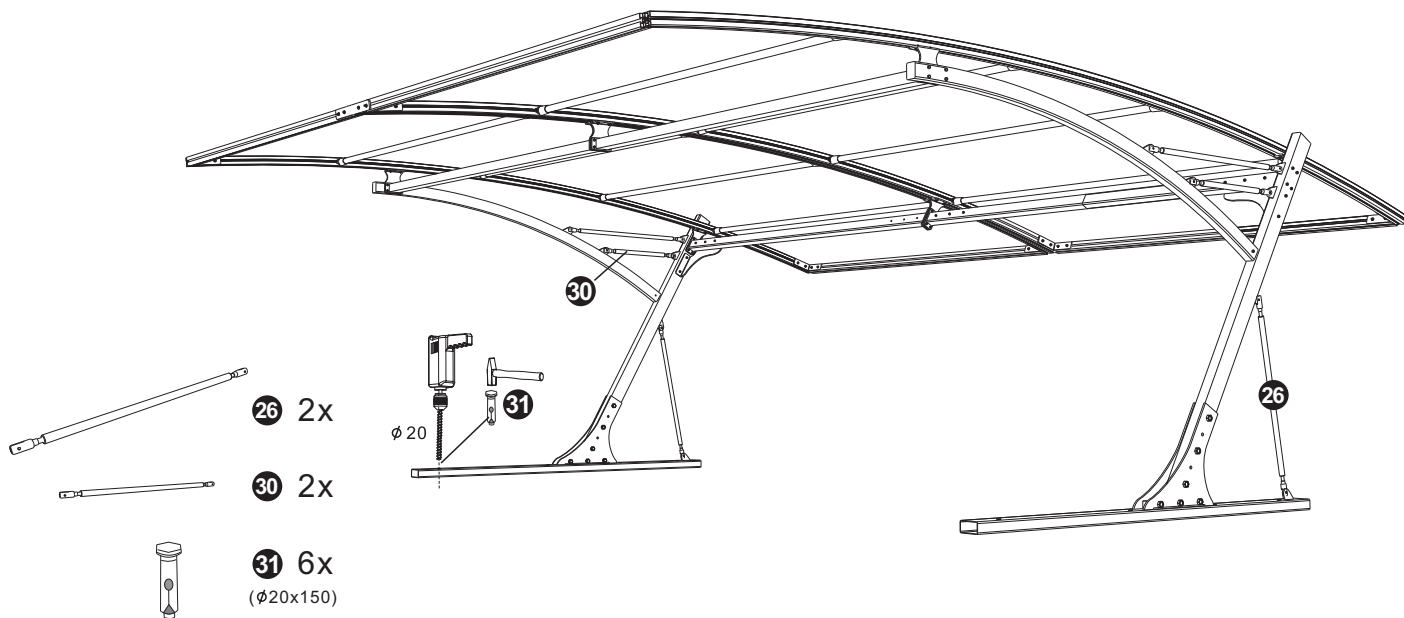
10



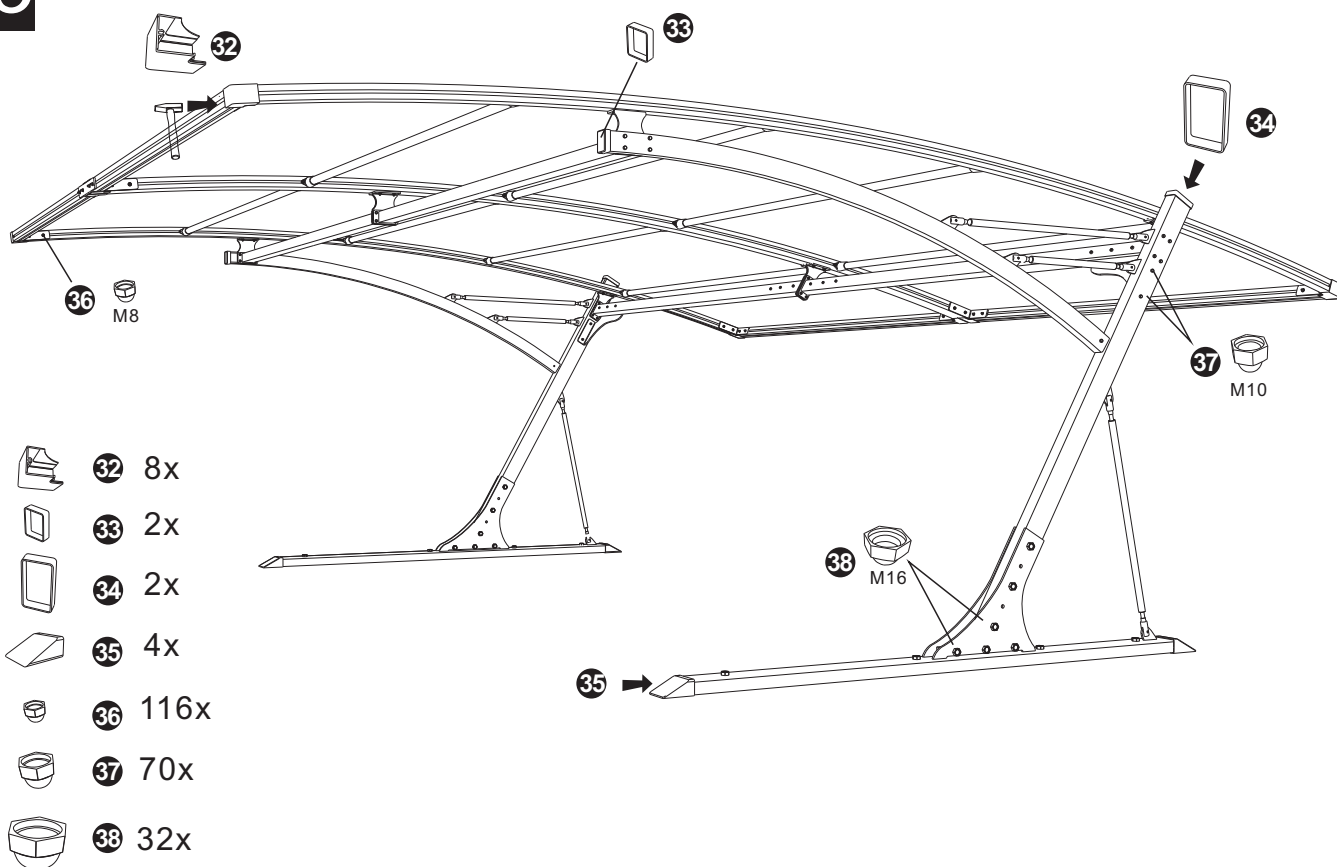
11

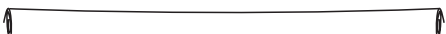






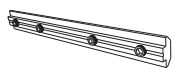
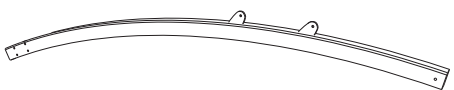
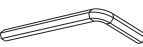



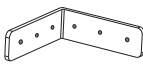





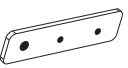
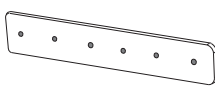


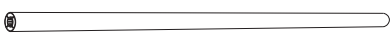

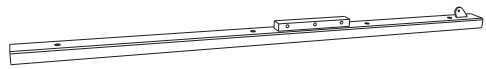
















12



13



1		1x	20	 (M10x50)	8x
2		6x	21	L  R 	L2x R2x
3		4x	22	 (M10x80)	12x
4		6x	23		2x
5	 4mm	1x	24		4x
6		2x	25		2x
7		4x	26		4x
8		54x	27	 5mm	1x
9	 (M16x100)	1x	28		1x
10		1x	29		2x
11		12x	30		2x
12		6x	31	 (φ20x150)	6x
13		2x	32		8x
14		4x	33		2x
15		2x	34		2x
16	 (M16x100)	12x	35		4x
17		2x	36		116x
18	L  R 	L2x R2x	37		70x
19	 (M10x90)	16x	38		32x